



The Quality Profile



**SOFTLINE SS85**

Type	Sliding Window & Door
System Depth	85 mm
U-Value	$U_f=2.3W/m^2\cdot K$

# SOFTLINE SS85

**VEKA SOFTLINE SS85 complements the VEKA SOFTLINE AD60 casement system with sliding solutions.**

A wide range of sliding frames allow for in-line fly-net application as well as for full Acryl-Color CoEx cover between the sliding rails. The sashes run on an aluminum track so even heavy sashes can run smoothly.

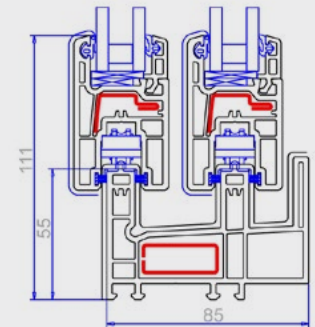
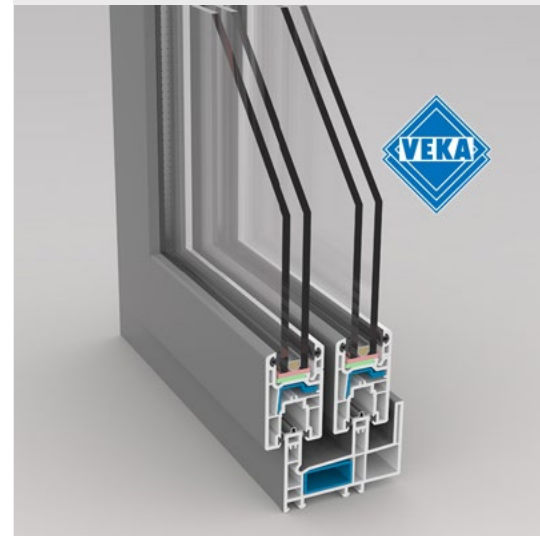
- ◆ System  $U_f 2.3 W/m^2\cdot K$  (including steel reinforcements)
- ◆ System depth 85mm – 3 Chambers
- ◆ Glazing width range from 4mm to 24mm
- ◆ Available in profile wall thickness “Class A” and “Class B”

### U-Values by Glass configuration

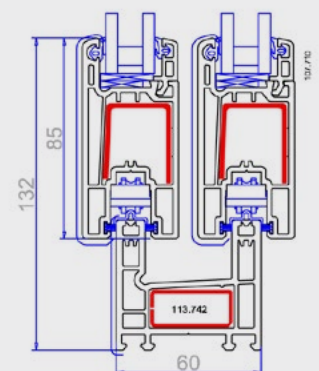
U-Value Std window	Glass Thickness	Glass Configuration	Glass U-Value
2.2 W/m <sup>2</sup> ·K	22/24 mm	5ssLow-E+12/14A+5	1.75 W/m <sup>2</sup> ·K
2.3 W/m <sup>2</sup> ·K	19 mm	5ssLow-E+9A+5	2.0 W/m <sup>2</sup> ·K
2.7 W/m <sup>2</sup> ·K	22/24 mm	5+12/14Ar+5	2.5 W/m <sup>2</sup> ·K
2.8 W/m <sup>2</sup> ·K	19 mm	5+9Ar+5	2.6 W/m <sup>2</sup> ·K

### Color options

Standard White		White			
Acryl-Color COEX					
	dark brown	light grey	dark grey		
	Laminated				
moss green		dark oak	golden oak	mahogany	dark grey



↑ Window Acryl-Color COEX



↑ Door Acryl-Color COEX



## Kunming - Army Residence

The Army Residence project located in the "Spring City" of Kunming, chose VEKA SOFTLINE SS85 as their preferred window system. An important advantage was the perfect integration of flynet into the sliding windows. Due to the very comfortable climate there were no requirements on thermal insulation properties.

<b>Product</b>	SOFTLINE SS85
<b>U<sub>f</sub></b>	2.3 W/m <sup>2</sup> ·K
<b>Glass Configuration</b>	5 + 9Ar + 5
<b>U-Value</b>	2.8 W/m <sup>2</sup> ·K

